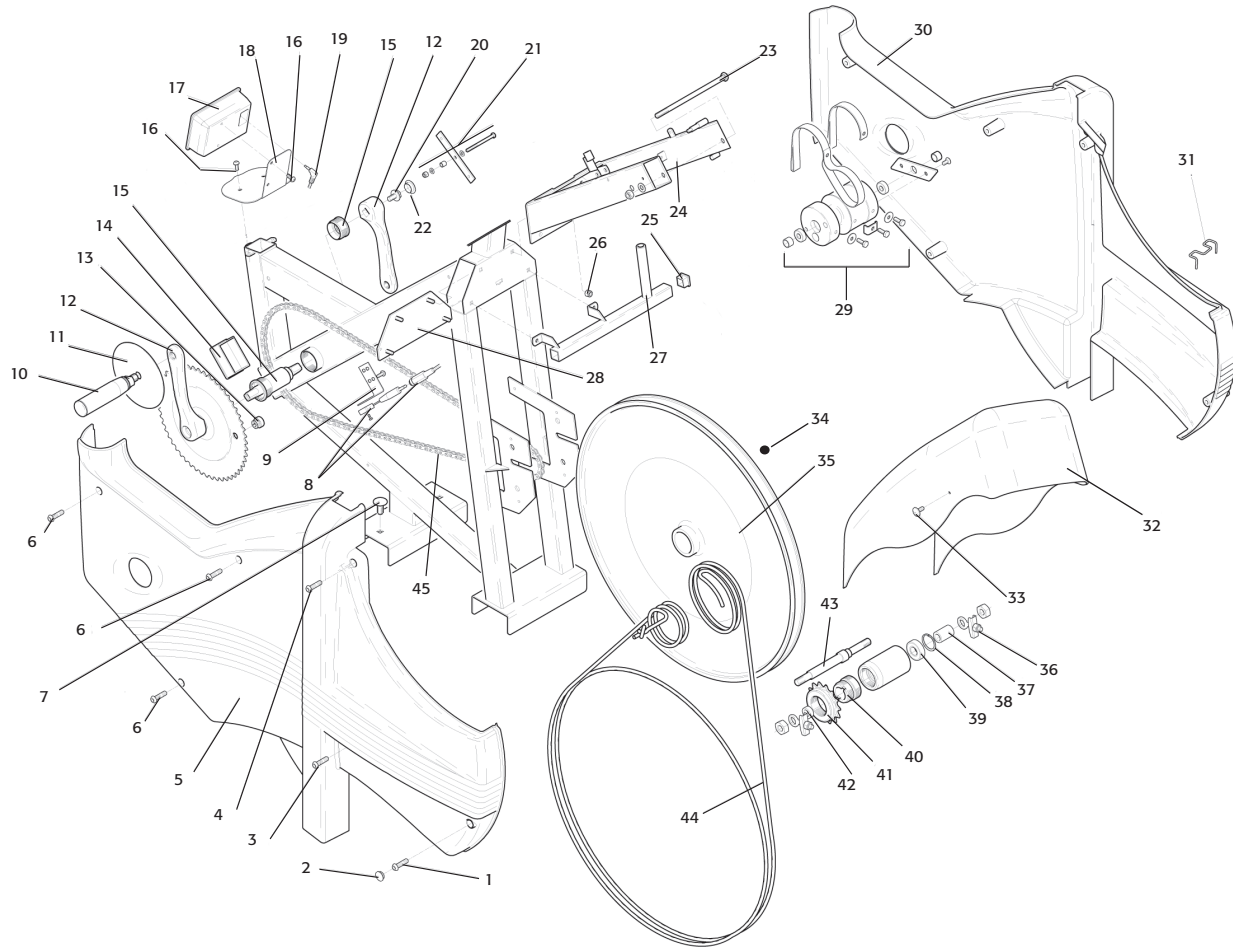
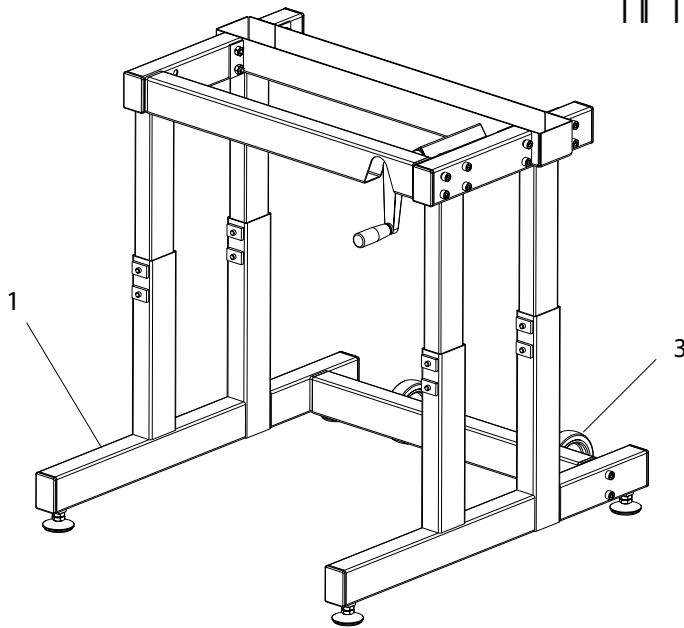
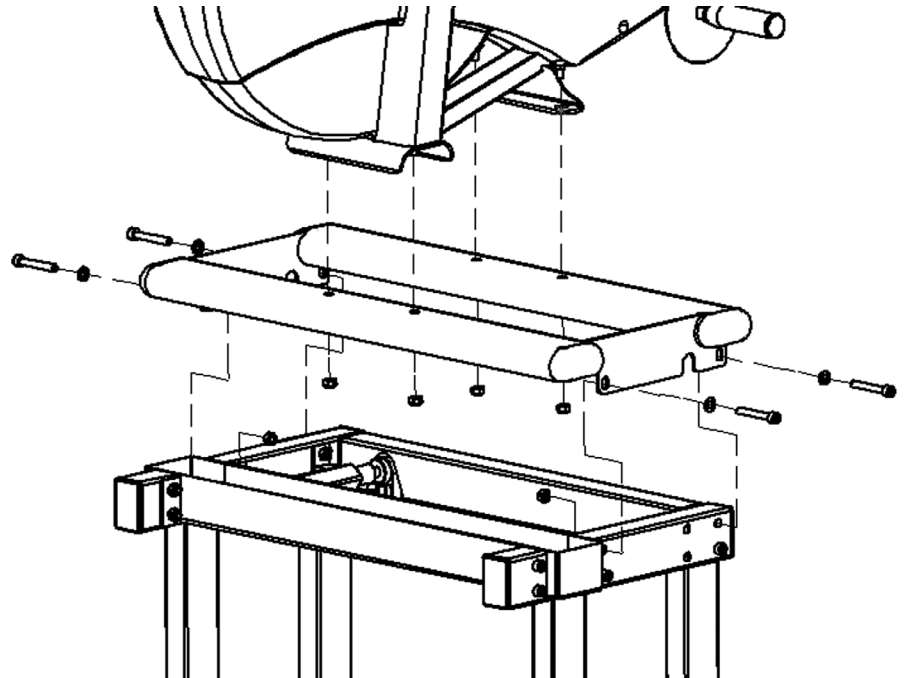


Pos.	Qty.	Art. No.	Description	Pos.	Qty.	Art. No.	Description
1	1	9374-9	Frame for equipment	25	4	9102-30	Weight, 0.1 kg
2	1	5844	Locking nut M8	26	1	9102-27	Weight, 0.5 kg
3	1	9394-10	Electronic set	27	3	9102-26	Weight, 1.0 kg
4	4	72658	Screw M3x8	28	1	5842-9	Nut M5
5	4	9394-432	Spacer nut	29	1	5862	Bush 6x19x1
6	1	9394-431	Cover for electronic set	30	1	9384-33	Magnet arm
7	1	5842-9	Lock nut M5	31	2	5673-9	Screw M5x12
8	2	9384-36	Spring	32	1	9384-37	Holder
9	1	5767-9	Nut M5	33	1	9384-34	Magnet plate
10	1	9384-35	Stop screw M5x30	34	1	14303	Screw M5x13
11	2	9127-37	Spacer 8.5x12, L13	35	1	9384-32	Electro magnet
12	2	19088-6	Bearing 608-2z	36	1	9384-31	Magnet bracket
13	2	9374-37	Magnet	37	3	5673-9	Screw M5x12
14	2	5862	Washer 6x19x1	38	1	5670	Screw M4x10
15	1	9324-70	Lock washer	39	1	9324-25	Weight basket
16	3	14323	Screw M6x16	40	1	9374-23	Sensor holder
17	2	14379	Screw M6x16	41	1	5843-9	Locking nut M6
18	1	9374-21	Stop	42	1	14380	Screw M6 x 12
19	1	14374	Screw M8x160	43	1	9326-169	Sensor with cable 620 mm
20	4	9103-41	Screw 4x9.5	44	2	9103-41	Screw 4x9.5
21	2	9326-270	Sensor with cable 390 mm	45	4	5675-9	Screw M5x6,5
22	2	9374-22	Sensor holder	46	1	9374-240	Contact holder with cables
23	1	9374-12	Damper	47	1	5842-9	Nut M5
24	1	9324-26	Suspension belt		1	9384-650	Power adaptor



Pos.	Qty.	Art. No.	Description	Pos.	Qty.	Art. No.	Description
1	1	5683	Screw M5x75	26	4	5843-9	Locking nut M6
2	10	9306-12	Plastic plug	27	1	9374-29	Weight holder
3	2	5673-9	Screw M5x12	28	1	9374-60	Bracket for frame
4	1	5681	Screw M5x40	29	1	9374-20	Tension device, complete
5	1	9391-62	Frame cover, right	30	1	9391-61	Frame cover, left
6	3	5671-19	Screw M5x20	31	1	9384-45	Belt control
7	2	9300-12	Screw M8x16	32	1	9391-141	Instrument cover
8	1	9326-162	Sensor with 100 mm cable	33	2	5675-9	Screw M5x6.5
9	1	9326-166	Sensor holder	34	6	9374-16	Magnet
10	1	9145-71	Handle, pair	35	1	9391-3	Flywheel with freewheel sprocket
11	2	9371-71	Handcover	36	1	9000-12	-Chain adjuster, pair
12	1	9300-460	Steel crank set, complete	37	1	9300-12	-Spacer 23 mm
13	1	9326-164	Magnet	38	1	9000-15	-Locking ring SgH 028
14	1	9391-55	Plastic cap	39	2	19001-6	-Bearing 6001-2z
15	1	8966-175	BB cartridge bearing, complete	40	1	9106-14	-Connection
16	4	5673-9	Screw M5x12	41	1	9106-13	-Sprocket, 14 t
17	1	9391-70	Digital meter	42	1	9000-17	-Spacer 5 mm
18	1	9391-26	Meter holder	43	1	9300-18	-Axle, length 132 mm
19	1	9326-263	Extension cable	44	1	9384-47	Brake cord
20	2	8523-115	Screw M8x1x20	45	1	9300-5	Chain 116 links, incl. lock
21	1	9391-43	Link, complete		1	9328-190	Chestbelt
22	2	8523-2	Dust cover for crank		1	9338-20	USB-serial adaptor
23	1	14374	Screw M8x160		1	9300-365	Software
24	1	9374-9	Frame for equipment				
25	2	9302-28	Plastic cap				



Pos.	Qty.	Art. No.	Description	Pos.	Qty.	Art. No.	Description
1	1	9391-83	Table stand, height-adjustable, complete	3	2	9000-29	Transport wheel, complete
2	1	9391-95	Upper part	1	1	9391-8-10	Skrew set