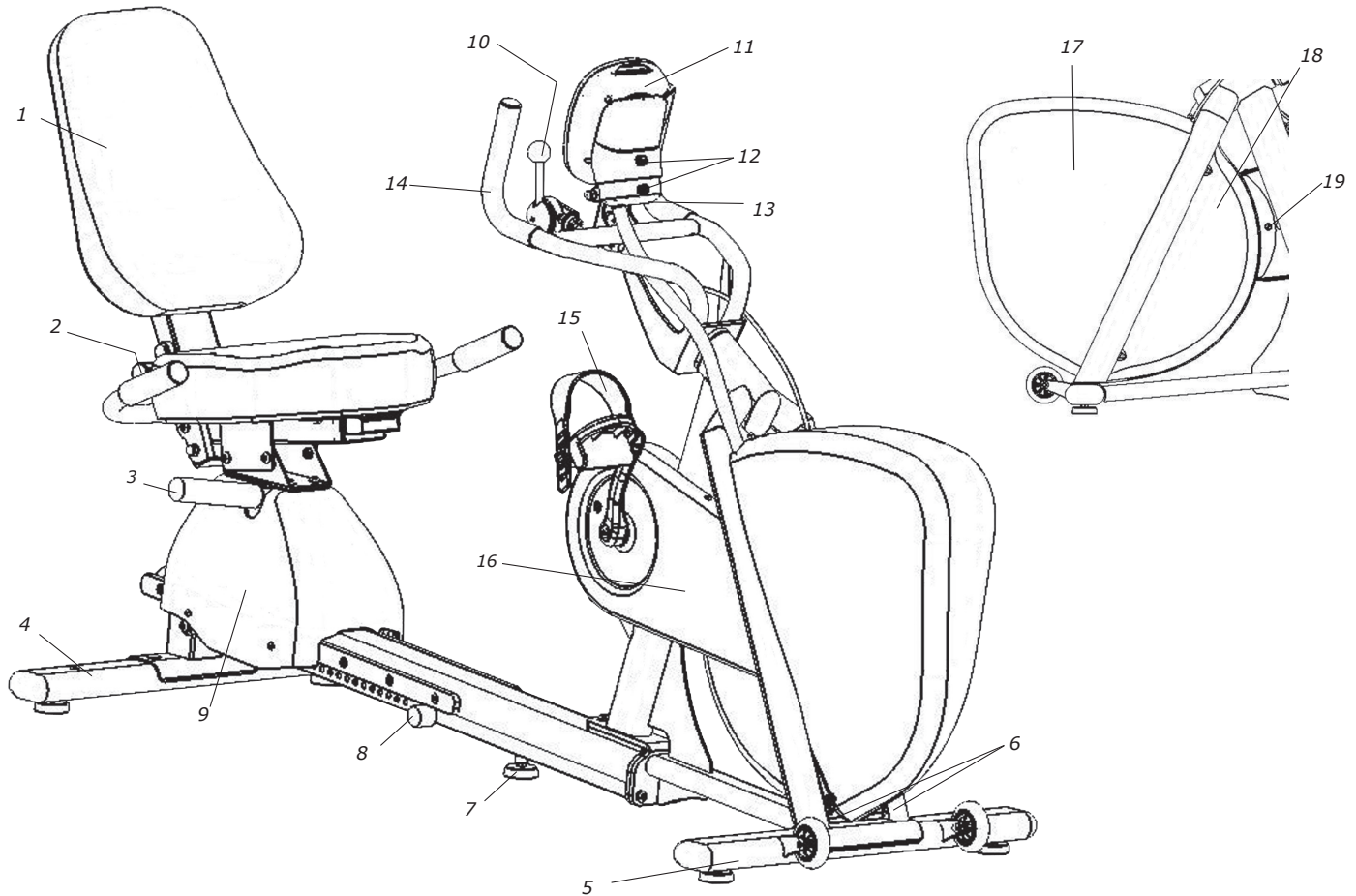


| Pos. | Qty. | Art. No. | Description | Pos. | Qty. | Art. No. | Description |
|------|------|-----------|--------------------------------|------|------|----------|------------------------------------|
| 1 | 2 | 9125-86 | Spring | 9 | 1 | 9384-27 | Pulley |
| 2 | 1 | 9311-73 | Brake belt T-models, complete | 10 | 1 | 9326-164 | Magnet |
| 3 | 1 | 9300-3 | Flywheel, complete | 11 | 1 | 9300-430 | Crank steel, 52T, 170 mm standard |
| 4 | 1 | 9300-24 | -Wheel suspension complete set | 12 | 1 | 9300-340 | Cartridge bottom bracket 68/122 mm |
| 5 | 1 | 9100-20 | Spring for press arm | 13 | 1 | 9311-6 | Chain guard |
| 6 | 1 | 9311-59 | Press arm | 14 | 1 | 9311-161 | Sensor with cable |
| 7 | 1 | 9328-43 | Tension lever | 15 | 1 | 9300-104 | Chain 9300, 104 L, with chain lock |
| 8 | 1 | 9311-67-1 | Potentiometer with cable G3 | | | | |



| Pos. | Qty. | Art. No. | Description | Pos. | Qty. | Art. No. | Description |
|------|------|----------|------------------------------|------|------|----------|--|
| 1 | 1 | 9329-3 | Seat for recumbent, complete | 10 | 1 | 9311-8 | Resistance control unit, T-model, complete |
| 2 | 1 | 9308-133 | -Locking knob | 11 | 1 | 9311-167 | Display RT2 |
| 3 | 1 | 9326-97 | Lever for length adjustment | 12 | 2 | 9000-104 | Pole screw M5x12, black |
| 4 | 1 | 9301-145 | Support tube rear, complete | 13 | 1 | 9326-804 | End cap with hole, black |
| | 2 | 9309-51 | -Plastic cap | 14 | 1 | 9311-86 | Handlebar for recumbent, compl. |
| | 2 | 9328-26 | -Rubber foot with screw M8 | 15 | 1 | 74435-1 | Pedals for recumbent, pair |
| 5 | 1 | 9301-155 | Support tube front, complete | 16 | 1 | 9311-36 | Side cover rear, right |
| | 2 | 9309-51 | -Plastic cap | 17 | 1 | 9311-610 | Front cover RT |
| | 2 | 9328-26 | -Rubber foot with screw M8 | 18 | 1 | 9311-37 | Side cover rear, left |
| | 2 | 9328-37 | -Transport wheel, complete | 19 | 1 | 9000-103 | -Pole screw M5x12, white |
| 6 | 2 | 9000-103 | Pole screw M5x12, white | | | | |
| 7 | 1 | 9328-26 | Rubber foot with screw M8 | | | | |
| 8 | 1 | 9311-142 | Stop | | | | |
| 9 | 1 | 9327-84 | Cover | | | | |



Fig: Power adaptor without power cord (accessory)



Fig: Chest belt, Garmin ANT+ (accessory)

Accessories

| Art. No.: | Description | Art. No.: | Description |
|-------------|----------------------------------|-----------|-----------------------------------|
| 9311-9311-1 | Power adaptor without power cord | 9311-9315 | Power cord for power adaptor, AUS |
| 9311-9312 | Power cord for power adaptor, EU | 9000-211 | Calibration weight 4 kg |
| 9311-9313 | Power cord for power adaptor, UK | 9000-212 | Calibration weight 2 kg |
| 9311-9314 | Power cord for power adaptor, US | 9311-75 | Chest belt, Garmin ANT+ |