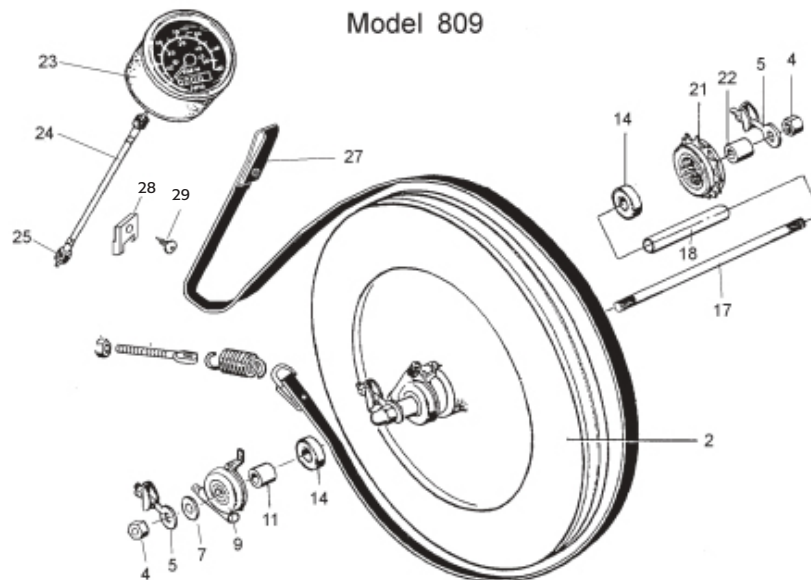
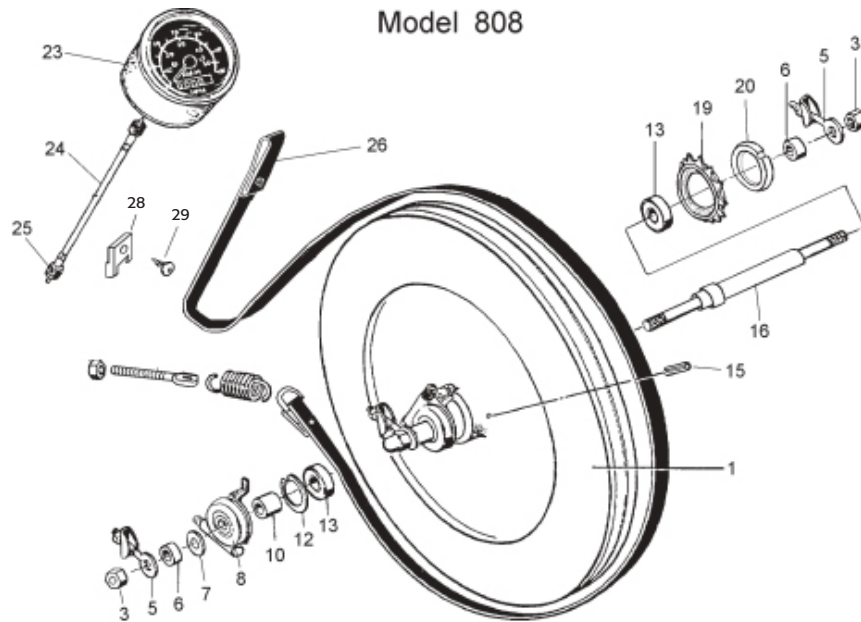


Pos.	Qty.	Art. No.	Description	Pos.	Qty.	Art. No.	Description
1	1	9327-6	Support tube, front	15	1	9300-26	Tension screw, compl.
2	1	9327-5	Support tube, rear		1	9100-25	-Knob
3	4	9327-7	Plastic cap, blue		1	5775	-Nut M8
4	2	9010-12	Transport wheel, compl.	16	1	4992-5	Saddle
5	2	14331-37	Screw	17	1	9300-114	-Saddle bracket
6	2	5901	Washer	18	1	9300-113	Saddle post
7	1	9000-55	Chain 84 links incl. lock	19	1	9300-115	Bushing
8	1	9308-51	Chain cover, inner	20	2	9300-131	Locking screw
	2	5673-9	Screw for above		2	9300-134	-Pressure washer
9	1	9308-50	Chain cover, outer	21	1	9300-401	Crank set, compl.
	2	5675-9	Screw for above		1	9300-164	Magnet
10	1	9308-65	Handlebar, compl.	22	1	8966-175	BB cartridge bearing
11	2	1069-5	-Handlebar plug, blue	23	2	8523-115	Screw M6S 8.8 M8x1x20
12	1	9100-106	-Lever	24	2	8523-2	Dust cover
13	1	9308-66	-Screw MVBF 8x80	25	1	9300-215	Pedal 9/16", pair
	1	6668-5	-Washer 28x8,5x3	26	1	9300-207	Pedal strap, pair
14	1	9308-32	Tension lever, compl.	27	1	9308-1	Frame
				28	4	9308-10	Endcap
				29	1	9308-11	Endcap



Pos.	Qty.	Art. No.	Description	Pos.	Qty.	Art. No.	Description
1	1	9308-30	Flywheel compl. 808, no flywheel	18	1	9309-38	Spacer, 809
2	1	9309-30	Flywheel compl. 809, w. flywheel	19	1	1210	Sprocket 14t, 808
3	2	5799	Nut 9.5x26g, 808	20	1	2420-49	Sprocket nut, 808
4	2	9309-39	Nut M10x1, 809	21	1	76441	Freewheel sprocket 16t, 809
5	1	9000-12	Chain adjuster, pair, 808, 809	22	1	9309-37	Spacer 13 mm, 809
6	2	9000-17	Spacer 5 mm, 808	23	1	9327-61	Speedometer, 808, 809
7	1	5881	Washer 10x21,5x3 mm, 808, 809	24	1	9308-62	Speedometer cable
8	1	9327-62	Hub connection 2.6, 808	25	1	9308-63	Connection collar M11
9	1	9309-62	Hub connection 3.0, 809	26	1	9309-63	Brake belt, compl. 808
10	1	9000-16	Spacer 16 mm, 808	27	1	9309-63	Brake belt, compl. 809
11	1	9309-36	Spacer 9.5 mm, 809	28	2	9308-37	Belt guide, 808, 809
12	1	9000-15	Locking ring SgH 028, 808	29	1	9308-66	Screw
13	2	19001-6	Bearing 6001-2z, 808		1	9308-36	Wheel suspension, 808
14	2	19001-5	Bearing 6000-2z, 809		1	9309-34	Wheel suspension, 809
15	1	9010-38	Locking pin 5x18 mm, 808				
16	1	9308-35	Axle 9.5x26g, 808				
17	1	9309-35	Axle M10, 809				