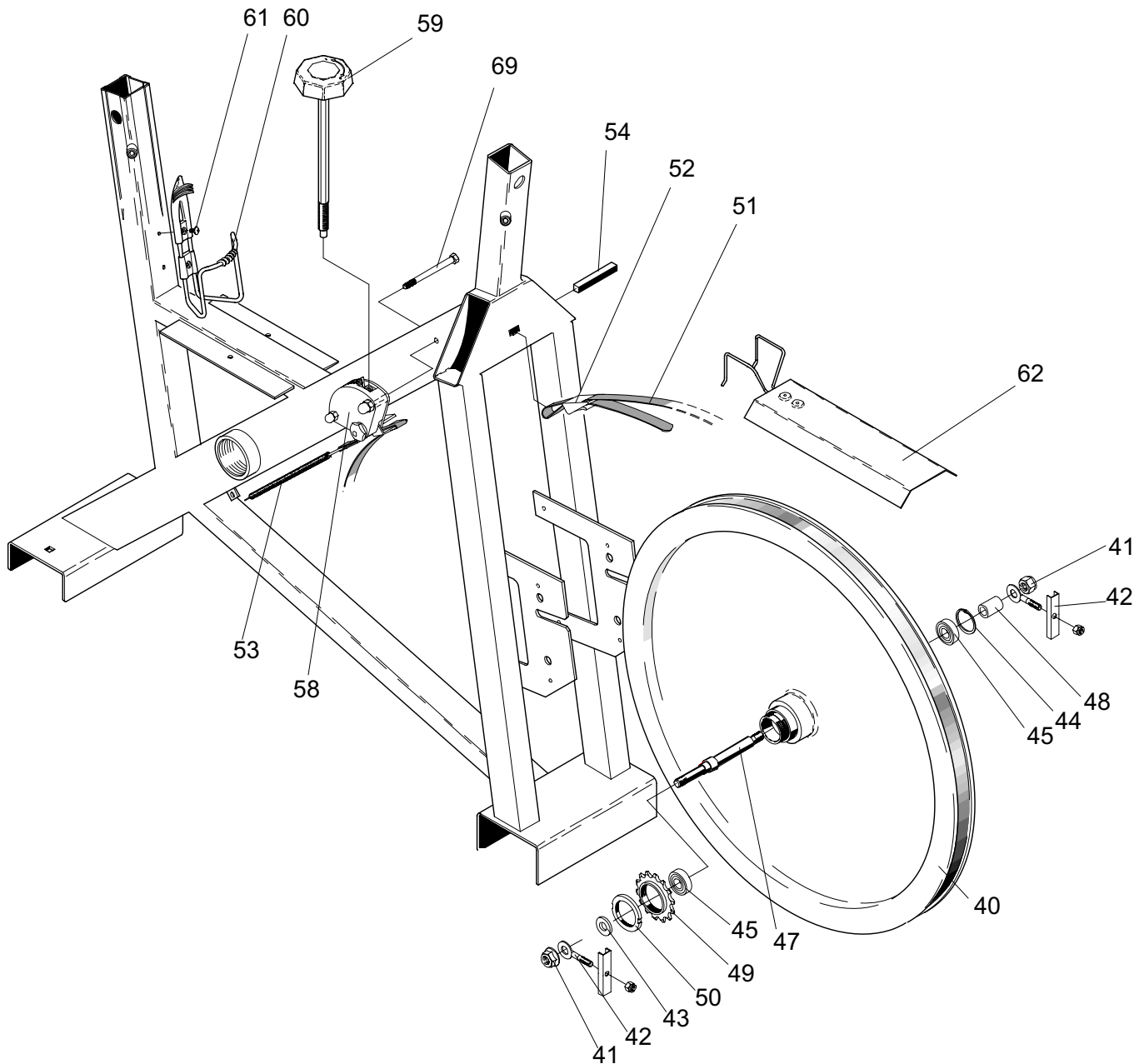


Pos.	Qty.	Art.No.	Description	Pos.	Qty.	Art.No.	Description
1	1	9336-7	Support tube, front	1	1	8323-2	Pedal cleats
2	1	9336-6	Support tube, rear	17	1	9336-115	Saddle
3	4	9300-707	Plastic cap, black	18	1	5466	Saddle bracket
4	2	9336-30	Transport wheel compl.	1	1	9336-111	Saddle post complete
5	4	5844	Lock nut	19	1	9336-113	- Saddle post only
6	2	9300-12	Screw MVBF M8x16	20	1	9300-716	- Saddle post bushing upper
7	2	9336-10	Endcap	21	1	9336-114	- Saddle slide post
8	1	9300-55	Chain 116 L incl. lock	22	2	9336-762	- End cap
	1	1109	-Chain lock	23	3	9300-134	- Pressure washer, complete
9	1	9336-50	Chain guard rear	24	3	9300-718	- Locking screw
10	1	9336-51	Chain guard front	25	2	9010-26	Screw
11	1	9336-52	Side guard	26	2	9300-715	Bushing
12	1	9336-54	Side guard front	27	1	9336-265	Handlebar
13	6	5673-9	Screw LKT-TT 5x12mm	28	1	9336-80	Rubber cover
14	2	5675-9	Screw 5x6,5	29	2	9336-68	End cap
15	1	9300-53	Bracket for guard	30	1	9300-401	Crank complete 52T
16	1	8321-75	Pedal, pair	31	1	8967-175	BB cartridge bearing
	1	8486-2	Toe clip	32	2	8523-115	Screw M8x1x20
	4	5687	Screw f. toe clip	33	2	8523-2	Dust cover
	4	5842	Lock nut f. toe clip	37	1	9336-1	Frame
	2	8495-7	Straps f. toe clip	38	1	9306-118	Locking pin



Pos.	Qty.	Art.No.	Description	Pos.	Qty.	Art.No.	Description
40	1	9336-3	Flywheel compl.	52	1	9006-38	-Belt tightener, black
41	2	5799	-Nut 9.5 x 26g	53	1	9336-31	Spring
42	2p	9000-12	-Chain adjuster	54	1	9336-75	Pin for brake belt
43	1	9000-17	-Spacer 5 mm		1	9336-53	Loop for brake belt
44	1	9000-15	-Locking ring SgH 028	55	1	5671-9	Screw M5 x 10
45	2	19001-6	-Ball bearing 6001-2z	56	1	5842-9	Lock nut M5
46	1	9010-38	-Locking pin 5x18 mm	57	1	5860	Washer
47	1	9300-18	-Axle 9.5 x 26g	58	1	9336-79	Tension device compl.
48	1	9300-17	-Spacer	59	1	9336-786	Tension screw compl.
49	1	1210	-Sprocket 14t	60	1	8116-7	Bottle holder
50	1	2420-49	-Sprocket nut	61	2	5678-1	Screw M5
51	1	9336-36	Brake belt compl.	62	1	9336-60	Sweat guard